

S500SX-E

900 - 1875 HP Turbo

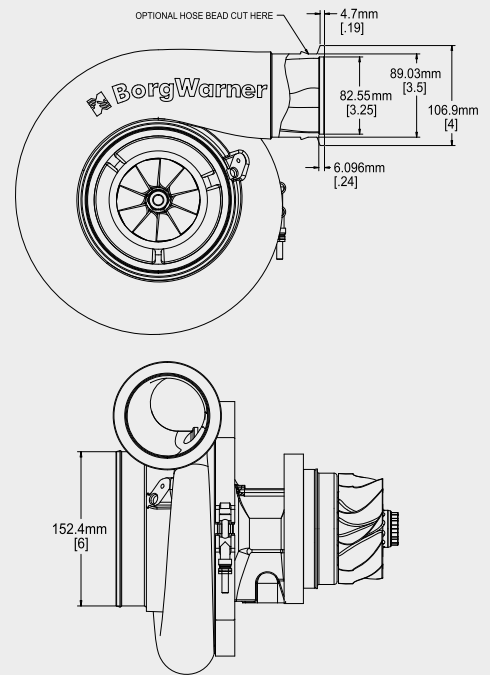


FEATURES

- Twin hydrodynamic journal bearings
- Extended Tip Technology Compressor Wheel
- Twin Scroll Turbine Housing
- Adjustable compressor and turbine housing orientation
- Standard turbine inlet and outlet connections
- Compressor cover recirculation grooves
- Speed sensor
- V-band or hose bead



TURBO FRAME DIMENSIONS



Super- Core	Comp. Wheel O.D. (in)	Comp Wheel O.D. (mm)	Comp Wheel Inducer Dia. (in)	Comp Wheel Inducer Dia. (mm)	Turbine Wheel O.D. (in)	Turbine Wheel O.D. (mm)	Turbine Wheel Exducer	Turbine Wheel Exducer (mm)	Service Kit (360° thrust bearing)
15009097001	4.72	120.00	3.46	87.93	4.32	109.73	3.90	99.08	173611
15009097002	4.72	120.00	3.69	93.80	4.32	109.73	3.90	99.08	173611

TURBINE HOUSING

*See page 56

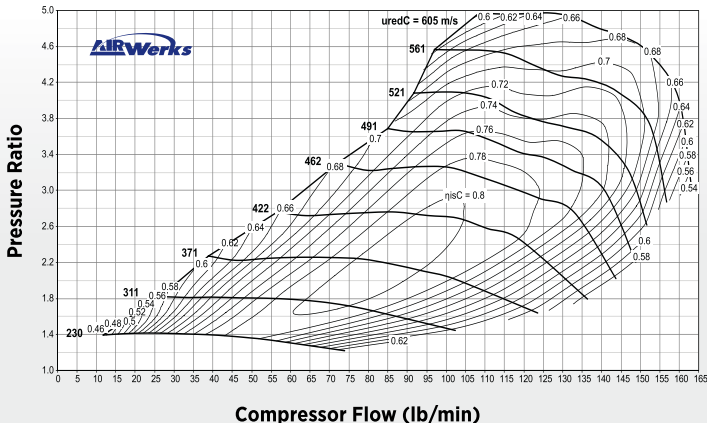
See page 61 for speed sensor installation details

Part #	A/R	Inlet Configuration	Turbine Inlet to Centerline*	Notes
179159	0.85	Volute, Open Flow	3.62"	110 Turbine Wheel
179160	1.00	Volute, Open Flow	3.62"	
179161	1.15	Volute, Open Flow	4.25"	
178498	1.30	Volute, Open Flow (.50" longer discharge)	3.62"	
179162	1.45	Volute, Open Flow	4.25"	
179478	1.15	Volute, Twin Flow	3.62"	
179192	1.45	Volute, Twin Flow	3.62"	
179193	1.60	Volute, Twin Flow	3.62"	

COMPRESSOR MAPS

S500SX-E 900 - 1650 HP Part #: 15009097001

Comp. Wheel Inducer Dia. (mm) 87.93
Comp. Wheel Outer Dia. (mm) 120.00



S500SX-E 900 - 1875 HP Part #: 15009097002

Comp. Wheel Inducer Dia. (mm) 93.80
Comp. Wheel Outer Dia. (mm) 120.00

