

K16-2480

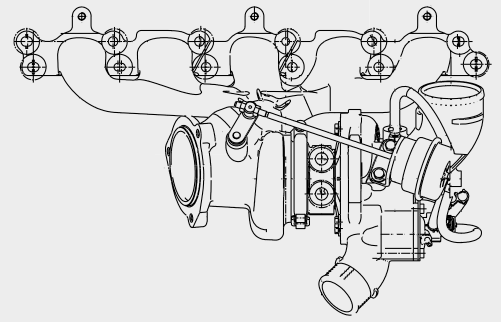
370 Peak Horsepower



FEATURES

- High-temperature alloy turbine wheel
- Extended tip compressor wheel
- Water cooled bearing housing

TURBO FRAME DIMENSIONS



Volvo's requirement for the developers at BorgWarner was to replace the bi-turbo boosting of the previous engine with a new unit with single-turbo boosting. The new 6-cylinder engine also had to possess at least the same transient response as its predecessor, and of course fuel consumption and emissions needed to be brought up to date. With the K16 used in the Volvo 6-cylinder engine, BorgWarner unveils the first in a wide range of turbos for gasoline engines displacing from 1.6 to 3.0 liters or between 150 and 285 bhp.

Manufacturer	Vehicle	Year	Engine	Stock Turbo	Stock Turbo HP Limit	Upgrade HP	Upgrade Turbo Part #	Model Spec	Remarks
Volvo	S40/V50/XC60/C70	From 2003	2.5L RNC-RS	5304 988 0033	300	370	5316 998 0010	K16-2480D	Integrated Manifold
Ford	Focus	From 2005	2.5L RNC-RS	5304 988 0033	300	370	5316 998 0010	K16-2480D	Integrated Manifold



V O L V O