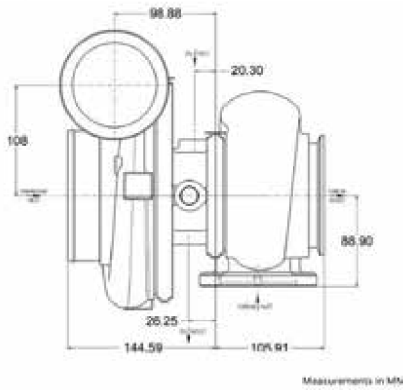


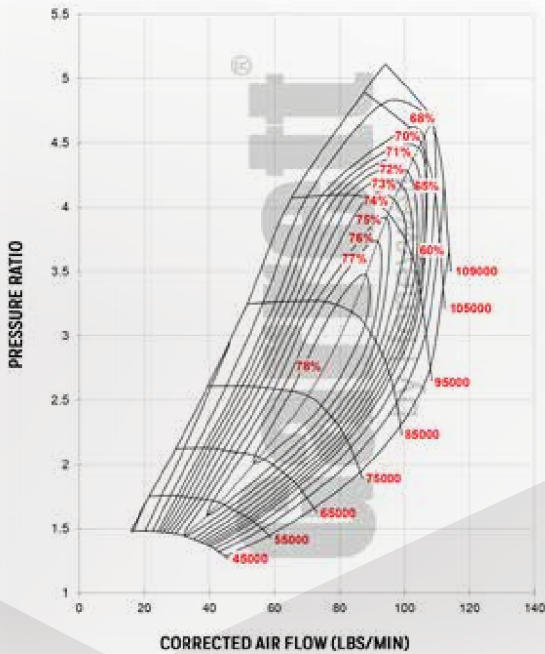
GTX4202R

Horsepower: 525 - 1120
Displacement: 2.0L - 7.0L

Honeywell



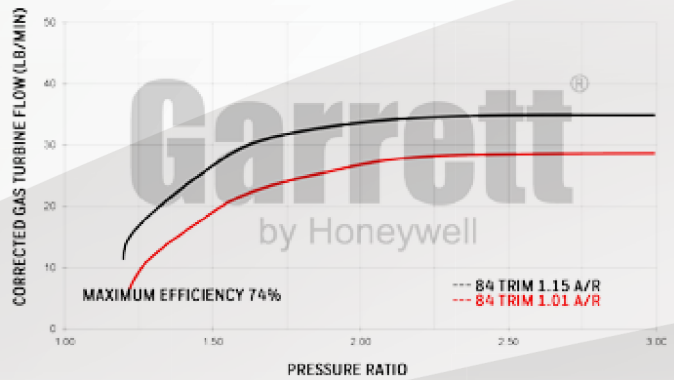
COMPRESSOR MAP



FEATURES:

- ◆ FEATURES ORIGINAL GTX COMP WHEEL AERODYNAMICS
- ◆ SUPER CORE AND TURBINE KIT SOLD SEPARATELY
- ◆ AVAILABLE ONLY WITH DIVIDED TURBINE HOUSINGS
- ◆ V-BAND COMPRESSOR OUTLET CONFIGURATION

EXHAUST FLOW CHART



Super Core Reference Data		Compressor				Turbine		
Super Core PN	CHRA	Inducer	Exducer	Trim	A/R	Inducer	Exducer	Trim
800269-5002S	451888-0044	76mm	102mm	55	0.60	82mm	75mm	84
Notes: Super Core and Turbine Kit Sold Separately		Turbine Kit PN	A/R	Inlet	Outlet	Wastegate	Divided	Trim
		757707-0001	1.01	T4	V-Band	Free Float	Y	84
		757707-0002	1.15	T4	V-Band	Free Float	Y	84

Garrett
by Honeywell