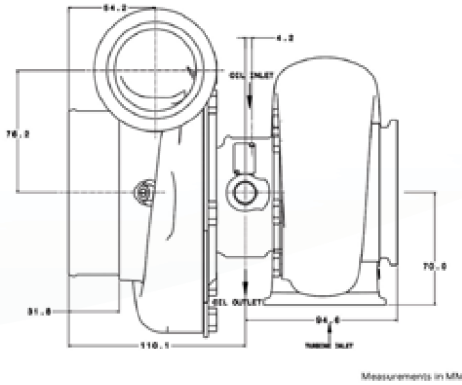


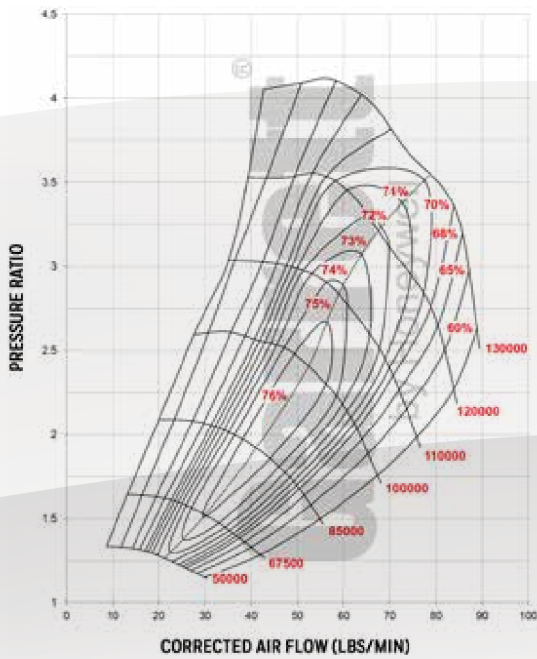
GTX3584RS NEW PRODUCT

Honeywell

Horsepower: 550 - 1000
Displacement: 2.0L - 5.5L



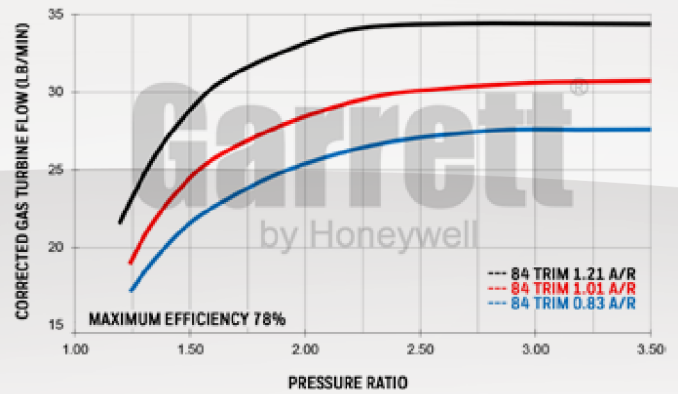
COMPRESSOR MAP



FEATURES:

- ◆ GEN 2 AERODYNAMICS FEATURE INCREASED HORSEPOWER RANGE
- ◆ "RS" DESIGNED, HIGH HORSEPOWER TURBINE WHEEL
- ◆ COMPACT DESIGN FOR TIGHT INSTALLATIONS
- ◆ NEW FULLY-MACHINED SPEED SENSOR PORT. DETAILS ON PG. 56
- ◆ SOLD AS ASSEMBLY KITS (SUPER CORE + TURBINE KIT)
- ◆ COMP OUTLET AVAILABLE IN V-BAND & HOSE CONNECTION

EXHAUST FLOW CHART



Super Core Reference Data		Compressor				Turbine		
		Inducer	Exducer	Trim	A/R	Inducer	Exducer	Trim
GTX3584RS Hose Bead Comp Outlet		67mm	84mm	64	0.72	68mm	62mm	84
GTX3584RS V-Band Comp Outlet		67mm	84mm	64	0.72	68mm	62mm	84
Notes:	Assembly Kit PN	Super Core PN	Turbine Kit PN	A/R	Inlet	Outlet	Wastegate	Divided
Hose Bead Comp Outlet	856804-5001S	846098-5001S	740902-0067	0.83	V-Band	V-Band	Free Float	N
	856804-5002S	846098-5001S	740902-0066	1.01	V-Band	V-Band	Free Float	N
	856804-5003S	846098-5001S	740902-0052	1.21	V-Band	V-Band	Free Float	N
V-Band Comp Outlet	856804-5004S	846098-5002S	740902-0067	0.83	V-Band	V-Band	Free Float	N
	856804-5005S	846098-5002S	740902-0066	1.01	V-Band	V-Band	Free Float	N
	856804-5006S	846098-5002S	740902-0052	1.21	V-Band	V-Band	Free Float	N

*GTX3584 turbine housings not compatible with other GT/GTX35 housings

Garrett
by Honeywell