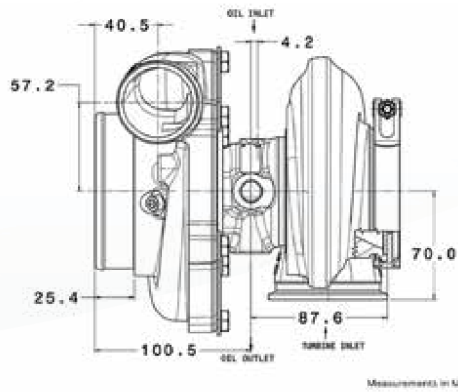


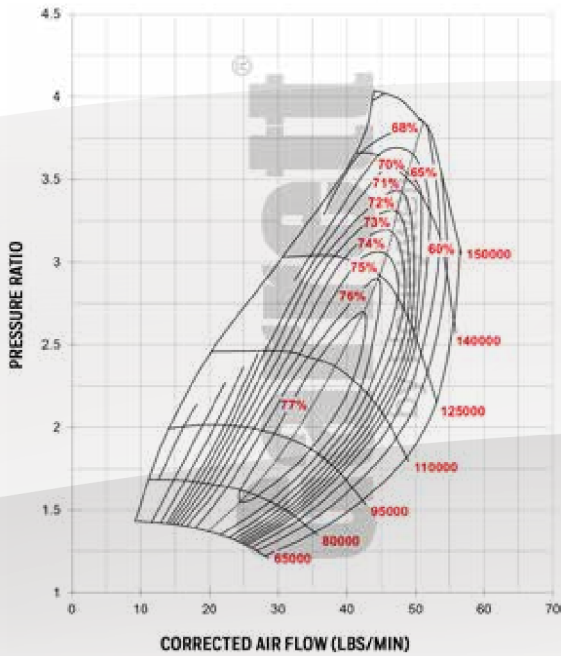
GTX2971R

Horsepower: 340 - 560
Displacement: 1.8L - 3.0L

Honeywell



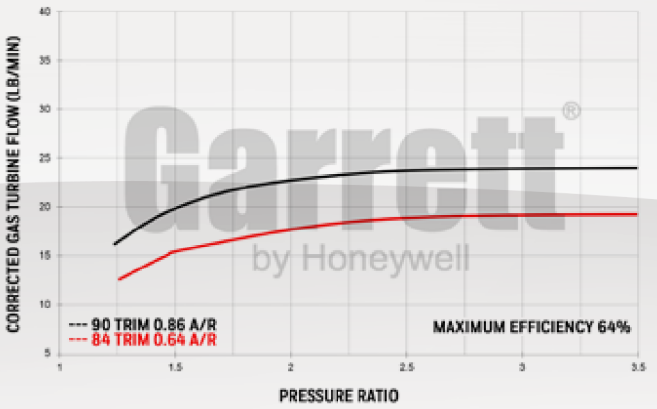
COMPRESSOR MAP



FEATURES:

- ◆ FEATURES ORIGINAL GTX COMP WHEEL AERODYNAMICS
- ◆ WASTEGATE ACTUATORS & BRACKET KIT AVAILABLE ON PG. 56
- ◆ SUPER CORE AND TURBINE KIT SOLD SEPARATELY
- ◆ AVAILABLE IN 84 AND 90 TRIM TURBINE OPTIONS

EXHAUST FLOW CHART



Super Core Reference Data		Compressor				Turbine		
Super Core PN	CHRA PN	Inducer	Exducer	Trim	A/R	Inducer	Exducer	Trim
836041-5002S	836013-0002	54mm	71mm	58	0.60	57mm	52mm	84
836041-5003S	836013-0003	54mm	71mm	58	0.60	57mm	54mm	90
Notes: Super Core and Turbine Kit Sold Separately		Turbine Kit PN	A/R	Inlet	Outlet	Wastegate	Divided	Trim
		827690-0006	0.64	T25	5-Bolt	Wastegated	N	84
		827690-0007	0.86	T25	5-Bolt	Wastegated	N	90
		740902-0048	0.61	V-Band	V-band	Free Float	N	84
		740902-0051	0.61	V-Band	V-band	Free Float	N	90
		740902-0047	0.83	V-Band	V-band	Free Float	N	84
		740902-0050	0.83	V-Band	V-band	Free Float	N	90
740902-0046	1.01	V-Band	V-band	Free Float	N	84		
740902-0049	1.01	V-Band	V-band	Free Float	N	90		

Garrett
by Honeywell