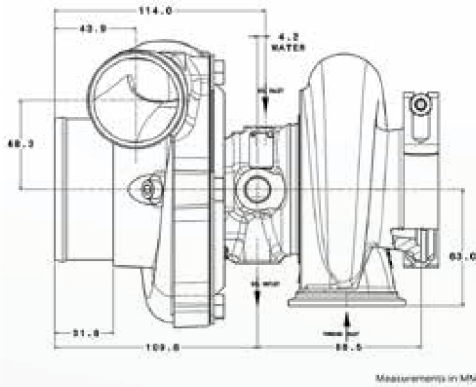


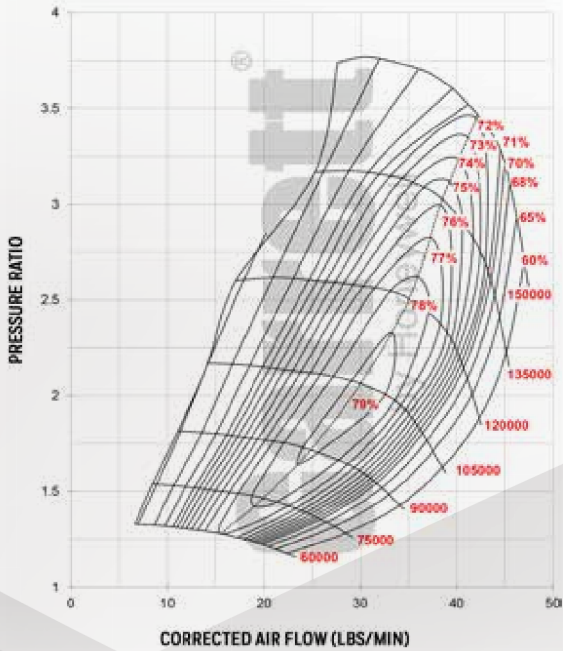
# GTX2967R

Horsepower: 275 - 470  
 Displacement: 1.8L - 3.0L

**Honeywell**



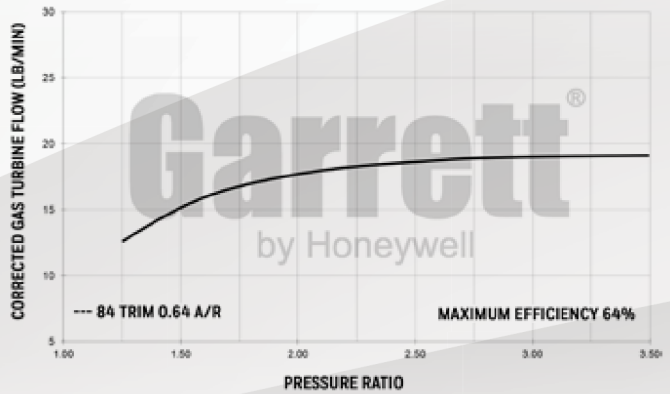
## COMPRESSOR MAP



## FEATURES:

- ◆ FEATURES ORIGINAL GTX COMP WHEEL AERODYNAMICS
- ◆ WASTEGATE ACTUATORS & BRACKET KIT AVAILABLE ON PG. 56
- ◆ SUPER CORE AND TURBINE KIT SOLD SEPARATELY

## EXHAUST FLOW CHART



Super Core Reference Data		Compressor				Turbine		
Super Core PN	CHRA PN	Inducer	Exducer	Trim	A/R	Inducer	Exducer	Trim
836041-5001S	836013-0001	50mm	67mm	55	0.60	57mm	52mm	84
Notes: Super Core and Turbine Kit Sold Separately		Turbine Kit PN	A/R	Inlet	Outlet	Wastegate	Divided	Trim
		827690-0006	0.64	T25	5-Bolt	Wastegated	N	84
		740902-0048	0.61	V-Band	V-band	Free Float	N	84
		740902-0047	0.83	V-Band	V-band	Free Float	N	84
		740902-0046	1.01	V-Band	V-band	Free Float	N	84

**Garrett**  
 by Honeywell