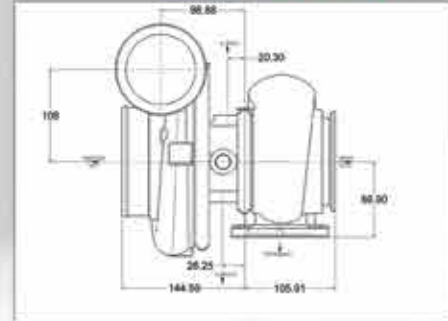


DISPLACEMENT 2.0L - 7.0L
HORSEPOWER 425 - 850



This Turbocharger is Ideal for:



| FLANGE | INLET | | OUTLET | |
|------------|-----------|------|---------|------|
| | Component | Page | Diagram | Page |
| Compressor | 89 | 37 | 89 | 07 |
| Turbine | 91 | 03 | 93 | 06 |
| Oil | 91 | 17 | 91 | 08 |
| Water | 93 | 14 | 93 | 14 |

- Dual ball bearing, oil & water-cooled CHRA
- Free float, non-wastegated turbine housing
- Turbine wheel cast from "Inconel" material for extreme applications
- Optional Turbine housings with T4 and diesel turbine inlet flange
- Ported shroud compressor housing to increase surge resistance

| GT4294R | | COMPRESSOR | | | | TURBINE | | |
|----------|----------|-------------|-------------|------|------|---------|------|------|
| Turbo PN | CHRA PN | Ind Whl Dia | Exd Whl Dia | Trim | A/R | Whl Dia | Trim | A/R |
| 774595-3 | 451888-9 | 70.3mm | 94.0mm | 56 | 0.60 | 82.0mm | 84 | 1.28 |

TURBINE HOUSING OPTIONS

| PN | A/R |
|-----------|------|
| 757707-1* | 1.01 |
| 757707-2* | 1.15 |
| 757707-3* | 1.28 |
| 757707-4* | 1.44 |
| 757707-9+ | 1.15 |

