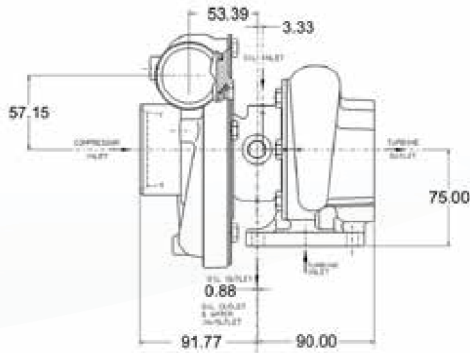


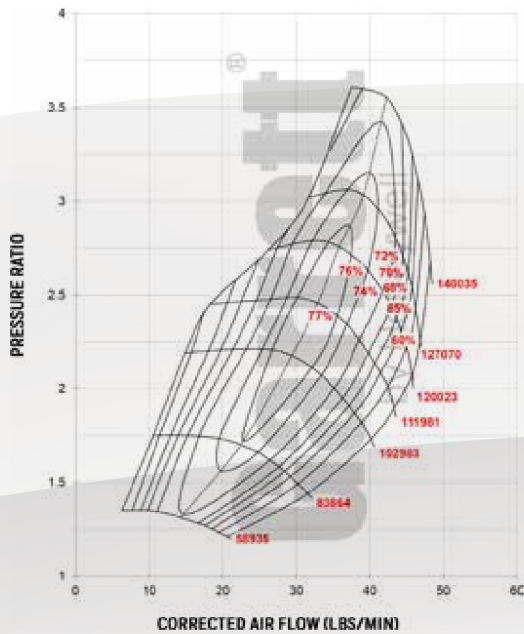
GT3071R

Horsepower: 280 - 480
Displacement: 2.5L - 3.5L

Honeywell



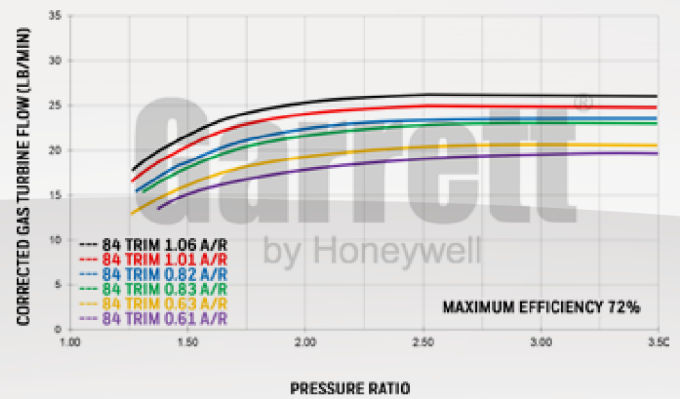
COMPRESSOR MAP



FEATURES:

- ◆ ORIGINAL GT SERIES AERODYNAMICS
- ◆ INTERNALLY WASTEGATED TURBINE HOUSING
- ◆ NON WASTEGATED TURBINE HOUSINGS AVAILABLE
- ◆ BALL BEARING CONFIGURATION WITH WATER COOLED CHRA
- ◆ V-BAND TURBINE HOUSING OPTIONS

EXHAUST FLOW CHART



Super Core Reference Data		Compressor				Turbine		
Super Core PN	CHRA	Inducer	Exducer	Trim	A/R	Inducer	Exducer	Trim
836028-5001S	836000-0002	53mm	71mm	56	0.50	60mm	55mm	84
836028-5002S	836000-0002	53mm	71mm	56	0.50	60mm	55mm	84
836028-5004S	836000-0001	53mm	71mm	56	0.50	60mm	55mm	84
836028-5005S	836000-0001	53mm	71mm	56	0.50	60mm	55mm	84
Notes: Super Core and Turbine Kit Sold Separately		Turbine Kit PN	A/R	Inlet	Outlet	Wastegate	Divided	Trim
		740902-0009	0.63	T3	V-Band	Free Float	N	84
		740902-0008	0.82	T3	V-Band	Free Float	N	84
		740902-0007	1.06	T3	V-Band	Free Float	N	84
		740902-0036	0.61	V-Band	V-Band	Free Float	N	84
		740902-0035	0.83	V-Band	V-Band	Free Float	N	84
Wastegated Turbine Assembly does not include bolts, clamps, or actuator		Turbine Asbly PN	A/R	Inlet	Outlet	Wastegate	Divided	Trim
		771300-0006	0.63	T3	5 bolt	Wastegated	N	84
		771300-0005	0.82	T3	5 bolt	Wastegated	N	84
		771300-0004	1.06	T3	5 bolt	Wastegated	N	84

Garrett
by Honeywell