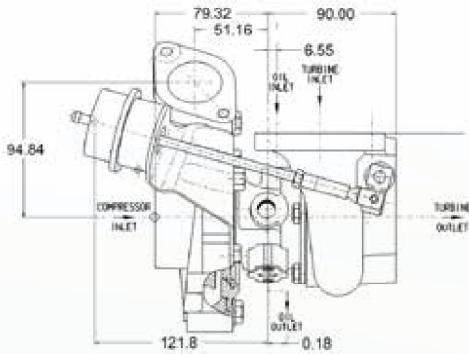


GT2871R

Horsepower: 280 - 475
Displacement: 1.8L - 3.0L

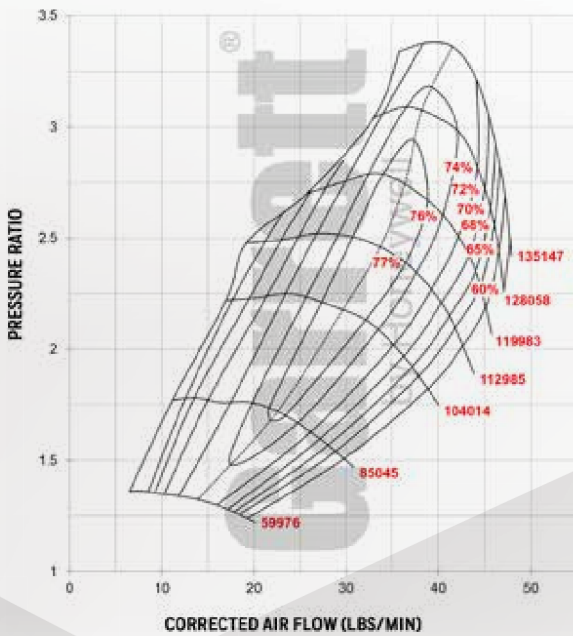
Honeywell



Measurements in MM



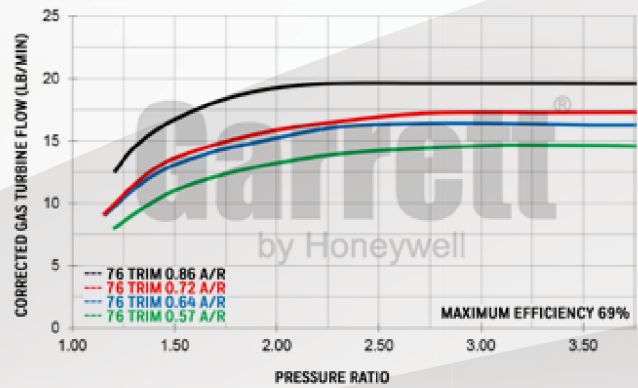
COMPRESSOR MAP



FEATURES:

- ◆ ORIGINAL GT SERIES AERODYNAMICS
- ◆ INTERNALLY WASTEGATED TURBINE HOUSING OPTIONS
- ◆ NON WASTEGATED TURBINE HOUSINGS AVAILABLE
- ◆ SOLD AS A COMPLETE TURBO (INCLUDES TURBINE KIT & ACTUATOR)
- ◆ BALL BEARING CONFIGURATION WITH WATER COOLED CHRA
- ◆ V-BAND TURBINE HOUSING OPTIONS

EXHAUST FLOW CHART



Turbo Reference Data		Compressor				Turbine			
Turbo PN	CHRA	Inducer	Exducer	Trim	A/R	Inducer	Exducer	Trim	A/R
836026-5020S	835998-0010	53mm	71mm	56	0.60	54mm	47mm	76	0.86
836026-5021S	835998-0010	53mm	71mm	56	0.60	54mm	47mm	76	0.64
Notes: Additional Turbine Housing Options		Turbine Kit PN	A/R	Inlet	Outlet	Wastegate	Divided	Trim	
		827690-0005	0.64	T25	5-Bolt	Wastegated	N	76	
		827690-0004	0.86	T25	5-Bolt	Wastegated	N	76	
		827690-0001	0.57	V-Band	V-Band	Free Float	N	76	
		827690-0002	0.72	V-Band	V-Band	Free Float	N	76	

Garrett
by Honeywell