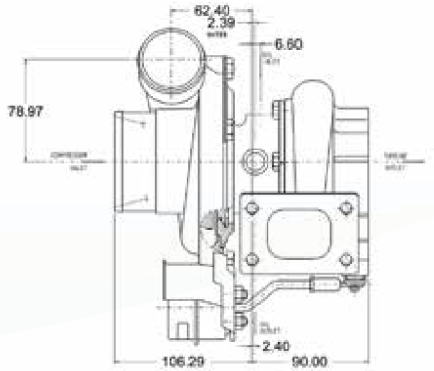


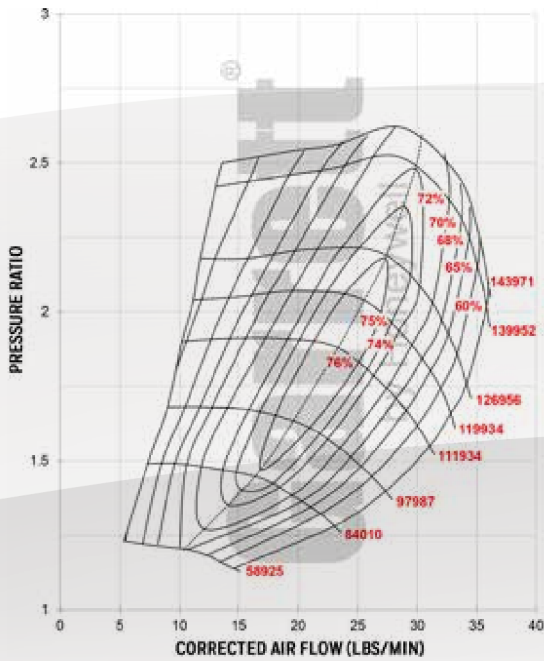
# GT2860RS

Horsepower: 250 - 360  
Displacement: 1.8L - 3.0L

**Honeywell**

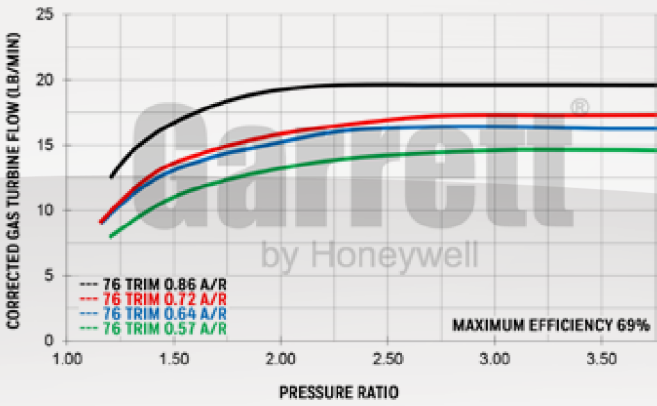


## COMPRESSOR MAP



- FEATURES:**
- ◆ ORIGINAL GT SERIES AERODYNAMICS
  - ◆ INTERNALLY WASTEGATED TURBINE HOUSING
  - ◆ SOLD AS A COMPLETE TURBO (INCLUDES TURBINE KIT & ACTUATOR)
  - ◆ BALL BEARING CONFIGURATION WITH WATER COOLED CHRA
  - ◆ V-BAND TURBINE HOUSING OPTIONS

## EXHAUST FLOW CHART



Turbo Reference Data		Compressor				Turbine			
Turbo PN	CHRA	Inducer	Exducer	Trim	A/R	Inducer	Exducer	Trim	A/R
836026-5013S	835998-0007	47mm	60mm	62	0.60	54mm	47mm	76	0.86
836026-5014S	835998-0007	47mm	60mm	62	0.60	54mm	47mm	76	0.64
Notes:  Additional Turbine Housing Options		Turbine Kit PN	A/R	Inlet	Outlet	Wastegate	Divided	Trim	
		827690-0005	0.64	T25	5-Bolt	Wastegated	N	76	
		827690-0004	0.86	T25	5-Bolt	Wastegated	N	76	
		827690-0001	0.57	V-Band	V-Band	Free Float	N	76	
		827690-0002	0.72	V-Band	V-Band	Free Float	N	76	

**Garrett**  
by Honeywell