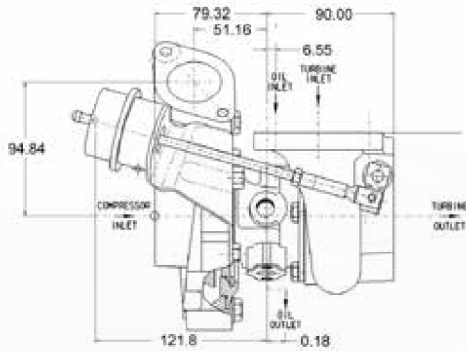


GT2860R

Horsepower: 250 - 360
Displacement: 1.8L - 3.0L

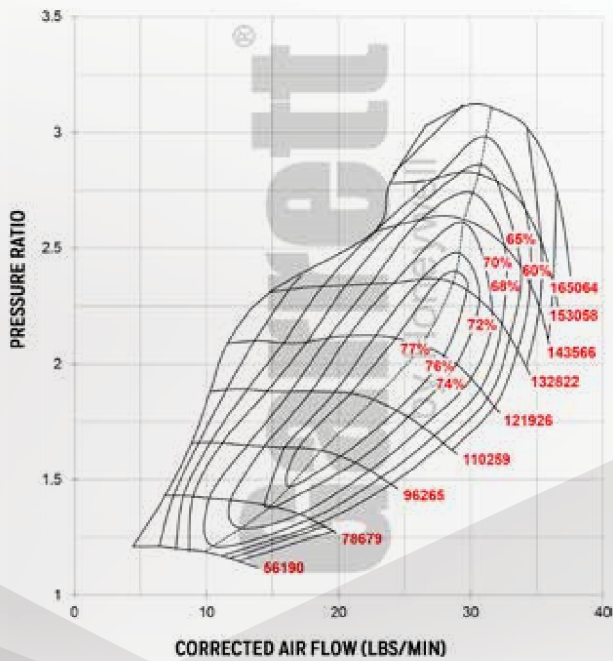
Honeywell



Measurements in MM



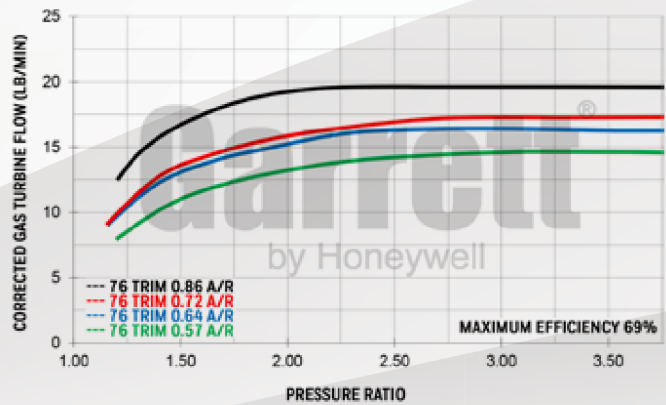
COMPRESSOR MAP



FEATURES:

- ◆ ORIGINAL GT SERIES AERODYNAMICS
- ◆ INTERNALLY WASTEGATED TURBINE HOUSING
- ◆ SOLD AS A COMPLETE TURBO (INCLUDES TURBINE KIT & ACTUATOR)
- ◆ BALL BEARING CONFIGURATION WITH WATER COOLED CHRA
- ◆ V-BAND TURBINE HOUSING OPTIONS
- ◆ BOLT-ON UPGRADE FOR NISSAN RB26DETT

EXHAUST FLOW CHART



Turbo Reference Data		Compressor				Turbine			
Turbo PN	CHRA	Inducer	Exducer	Trim	A/R	Inducer	Exducer	Trim	A/R
836026-5005S	835998-0006	47mm	60mm	62	0.60	54mm	47mm	76	0.64
Notes: Additional Turbine Housing Options			Turbine Kit PN	A/R	Inlet	Outlet	Wastegate	Divided	Trim
			827690-0005	0.64	T25	5-Bolt	Wastegated	N	76
			827690-0004	0.86	T25	5-Bolt	Wastegated	N	76
			827690-0001	0.57	V-Band	V-Band	Free Float	N	76
			827690-0002	0.72	V-Band	V-Band	Free Float	N	76

Garrett
by Honeywell