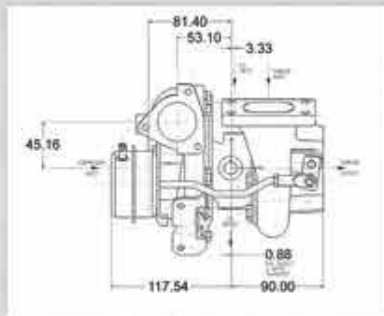


This Turbocharger is Ideal for:



- Dual ball bearing, oil & water-cooled CHRA
- Internally wastegated turbine housing complete with actuator
- Upgrade turbocharger for GT2554R (471171-3) and GT2854R (471171-9)
- Essentially, a GT2860RS Disco Potato turbo with a GT2560R compressor housing
- Turbine wheel is cast from "Inconel" material for extreme applications



Component	FLANGE		INLET		OUTLET	
	Page	Diagram	Page	Diagram	Page	Diagram
Compressor	82	13	82	09		
Turbine	83	07	85	02		
Oil	84	10	84	10		
Water	86	12	86	12		

DISPLACEMENT 1.8L - 3.0L

HORSEPOWER 250 - 360

2000
1900
1800
1700
1600
1500
1400
1300
1200
1100
1000
900
800
700
600
500
400
300
200
100
0

GT2860R		COMPRESSOR				TURBINE		
Turbo PN	CHRA PN	Ind Whl Dia	Exd Whl Dia	Trim	A/R	Whl Dia	Trim	A/R
739548-9	446179-66	47.2mm	60.1mm	62	0.60	53.9mm	76	0.86

TURBINE HOUSING OPTIONS	
PN	A/R
430609-230	0.64
430609-231	0.86

