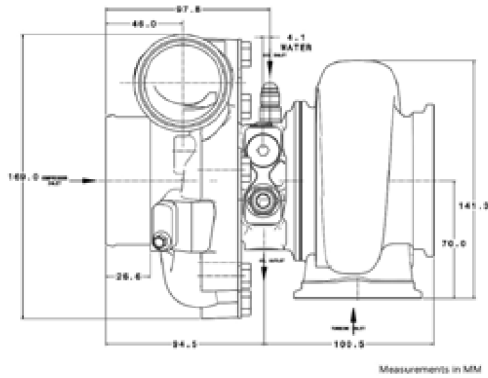
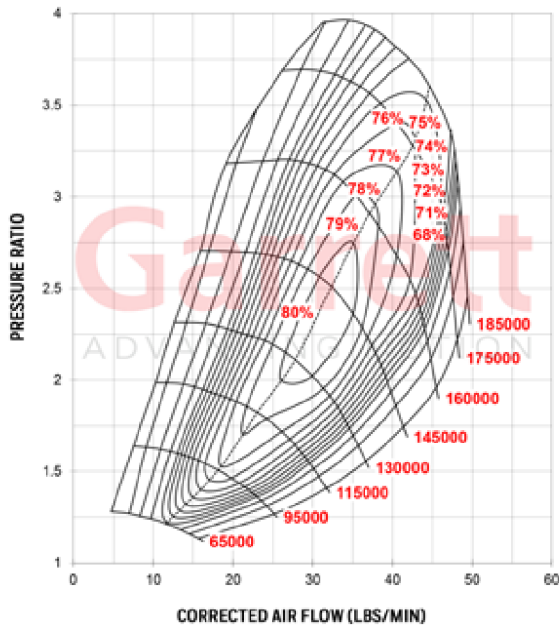


Garrett® G25-550

Horsepower: 300 - 550
Displacement: 1.4L - 3.0L



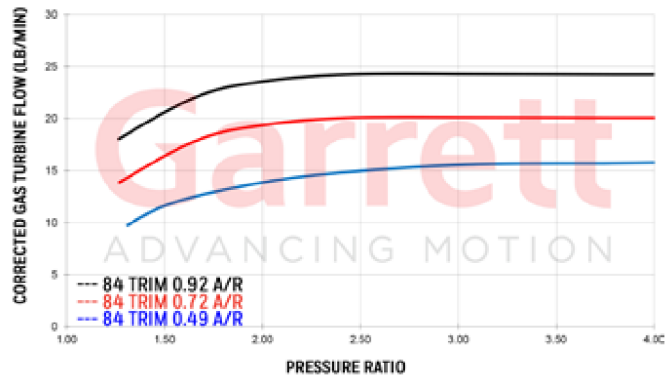
COMPRESSOR MAP



FEATURES:

- ◆ GARRETT® G SERIES COMPRESSOR AERODYNAMICS FOR MAXIMUM HP
- ◆ FULLY MACHINED SPEED SENSOR AND PRESSURE PORTS
- ◆ NEW TURBINE WHEEL AERO CONSTRUCTED OF MAR-M ALLOY RATED FOR UP TO 1050° C
- ◆ STAINLESS STEEL WASTEGATED AND NON WASTEGATED TURBINE HOUSING OPTIONS RATED FOR UP TO 1050° C
- ◆ OIL RESTRICTOR AND WATER FITTINGS INCLUDED

EXHAUST FLOW CHART



G25-550	Compressor				Turbine		
	Inducer	Exducer	Trim	A/R	Inducer	Exducer	Trim
	48mm	60mm	65	0.70	54mm	49mm	84
Standard Rotation	Assembly Kit PN		A/R	Inlet	Outlet	Wastegate	Divided
Assembly Kit Includes Super Core and Turbine Kit	871389-5004S		0.72	V-Band	V-Band	Free Float	N
	871389-5005S		0.92	V-Band	V-Band	Free Float	N
NEW Standard Rotation	Turbo PN		A/R	Inlet	Outlet	Wastegate	Divided
Turbo PN assembled and calibrated by Garrett® to 1.0 bar (14.7PSI).	877895-5001S		0.49	T25	V-Band	Yes	N
	877895-5003S		0.72	V-Band	V-Band	Yes	N
	877895-5004S		0.92	V-Band	V-Band	Yes	N
	877895-5011S		0.92	T4	V-Band	Yes	Y
Reverse Rotation	Assembly Kit PN		A/R	Inlet	Outlet	Wastegate	Divided
Assembly Kit Includes Super Core and Turbine Kit	871390-5004S		0.72	V-Band	V-Band	Free Float	N
	871390-5005S		0.92	V-Band	V-Band	Free Float	N
NEW Reverse Rotation	Turbo PN		A/R	Inlet	Outlet	Wastegate	Divided
Turbo PN assembled and calibrated by Garrett® to 1.0 bar (14.7PSI).	877895-5007S		0.72	V-Band	V-Band	Yes	N
	877895-5008S		0.92	V-Band	V-Band	Yes	N
	877895-5013S		0.92	T4	V-Band	Yes	Y