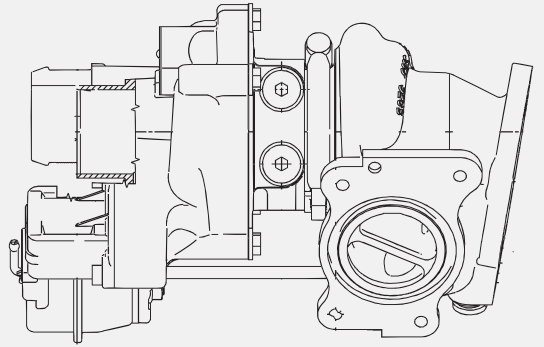


K03-2080

Mini Upgrade



TURBO FRAME DIMENSIONS



FEATURES

- High temperature alloy turbine housing
- Extended tip compressor wheel
- Twin scroll turbine housing
- Water cooled bearing housing

Turbo Part #	Comp. Wheel O.D. (mm)	Comp Wheel Inducer Dia. (in)	Comp Wheel Inducer Dia. (mm)	Turbine Wheel O.D. (in)	Turbine Wheel O.D. (mm)	Turbine Wheel Exducer (in)	Turbine Wheel Exducer (mm)	Turbo Area	Cartridge Assembly	Service Kit
5303 988 0146	51,00	1,61	41	1,77	45	1,58	40,3	4 cm ²	-	-

Manufacturer	Year	Engine	Stock Turbo	Stock Turbo	Upgrade HP	Upgrade Turbo Part #	Model Spec	Remarks
Mini	From 2006	EP6 DTS	5303 988 0163	215	255	5303 988 0146	K03-2080	Twin Scroll Turbine Housing



MINI COOPER